

GEN DESARROLLO & INVERSION

PAPAGAYO IRON ORE MINE

GEN DESARROLLO
& INVERSION

HIGHLIGHTS WORLD CLASS IRON ORE – MAGNETITE

LOCATED MINING DISTRICT OF URUGUAY WITH APPROVAL AND MINING TRADITION CURRENT

3300 HECTARES OF MINING PROPERTIES IN THE DISTRICT

HIGH GOLD ANOMALIES

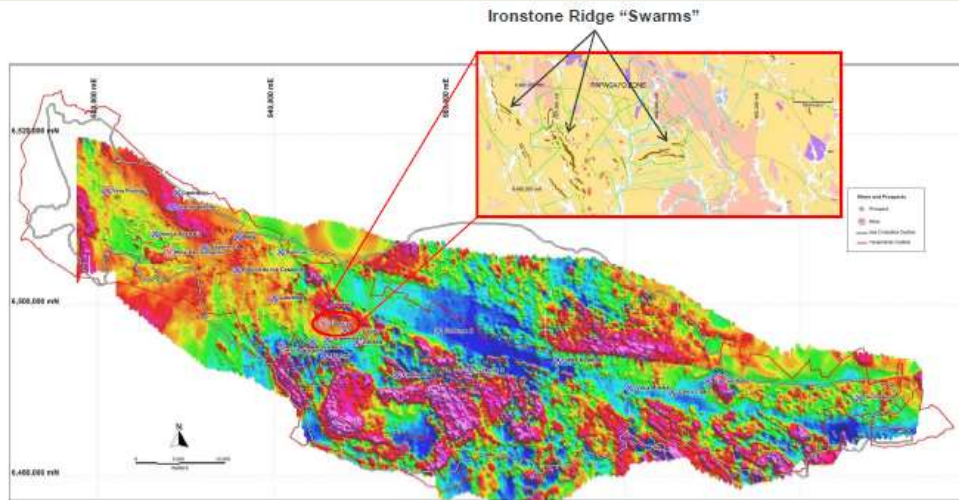
RESERVES > 150 Mt

RESOURCES > 300 Mt

LOCATION

Isla Cristalina

Rivera - Uruguay

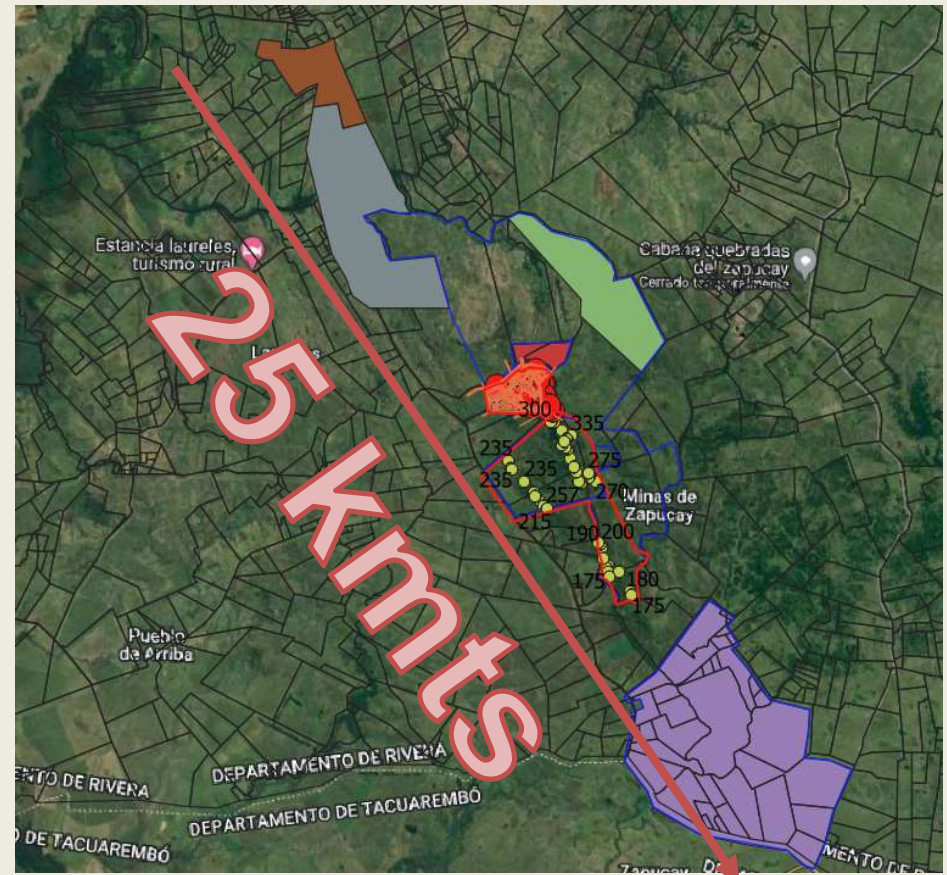


GEN DESARROLLO & INVERSION

PAPAGAYO IRON ORE MINE

GEN DESARROLLO & INVERSION

MINING PROPERTIES



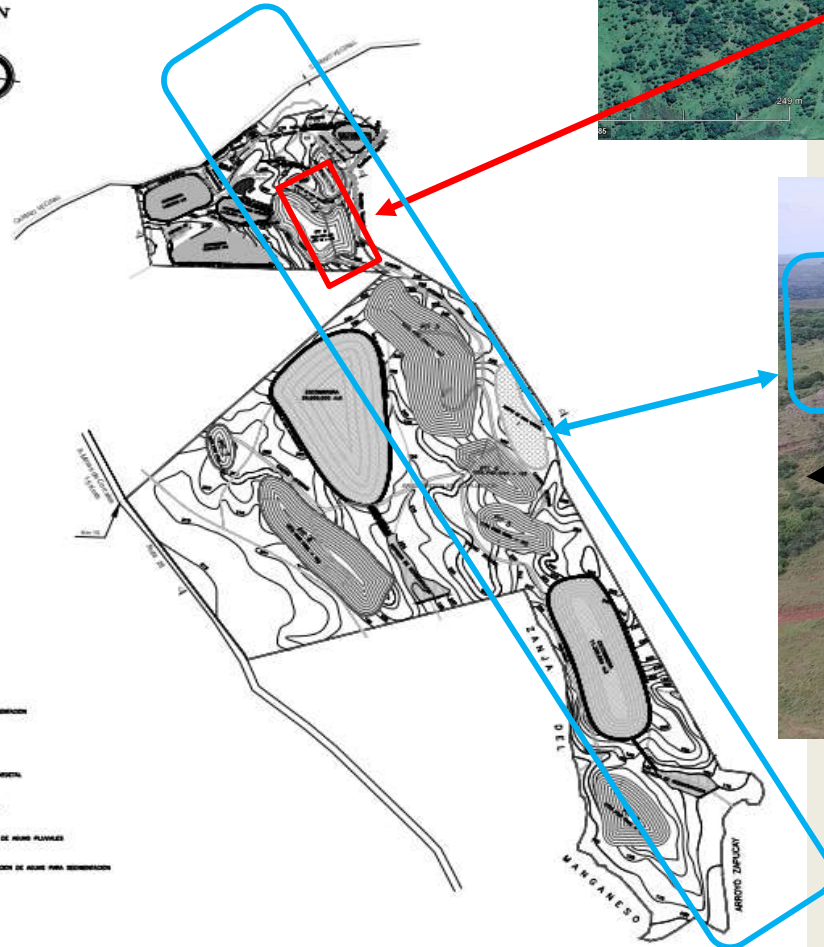
GEN DESARROLLO & INVERSION

PAPAGAYO IRON ORE MINE

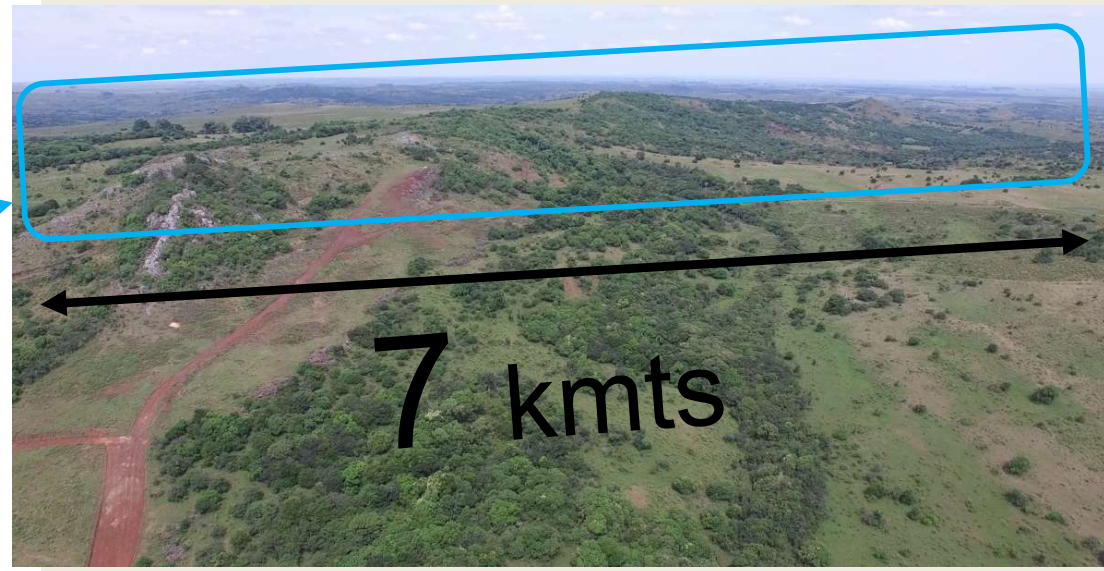
GEN DESARROLLO & INVERSION



JORC REPORT



- REFERENCIAL
- ESTACION
 - POZO DE BOMBEO
 - CANAL
 - OPERA DE BOMBEO
 - CUBA DE BOMBEO
 - POZO DE GRAN MUESTRA
 - SEÑALIZACION
 - CANAL DRENANTE DE AGUA PLUVIAL
 - CANAL DE CAPTURA DE AGUA PARA BOMBEO



7 km

GEN DESARROLLO & INVERSION

PAPAGAYO IRON ORE MINE

GEN DESARROLLO
& INVERSION

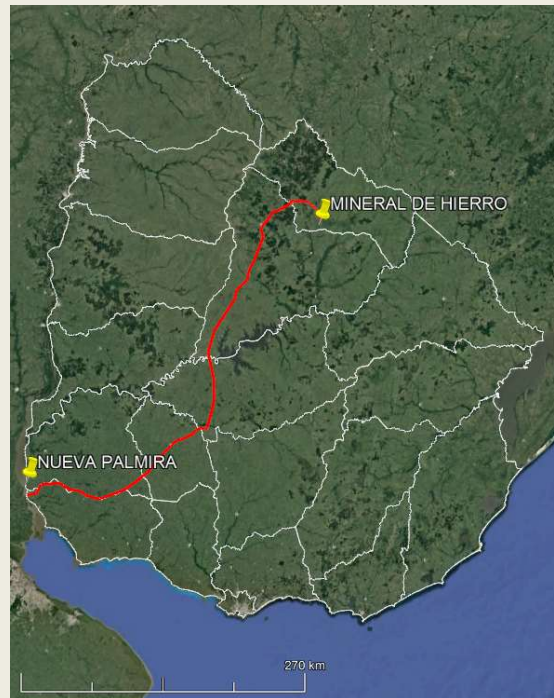
LOGISTIC



DISTANCE TO RAILWAY = 50 kmts

DISTANCIA TO PORT OF
NUEVA PALMIRA = 450 kmts
DRAFT = 9m

DISTANCE TO PORT OF
MONTEVIDEO = 460 kmts
DRAFT = 14m



DISTANCE TO PORT OF RIO
GRANDE DO SUL = 460 kmts
DRAFT = 14,5m

GEN DESARROLLO & INVERSION

PROYECTO: MINA DE HIERRO PAPAGAYO

GEN DESARROLLO & INVERSION

FINAL PRODUCT

CONCENTRATED IRON ORE
Fe > 62%

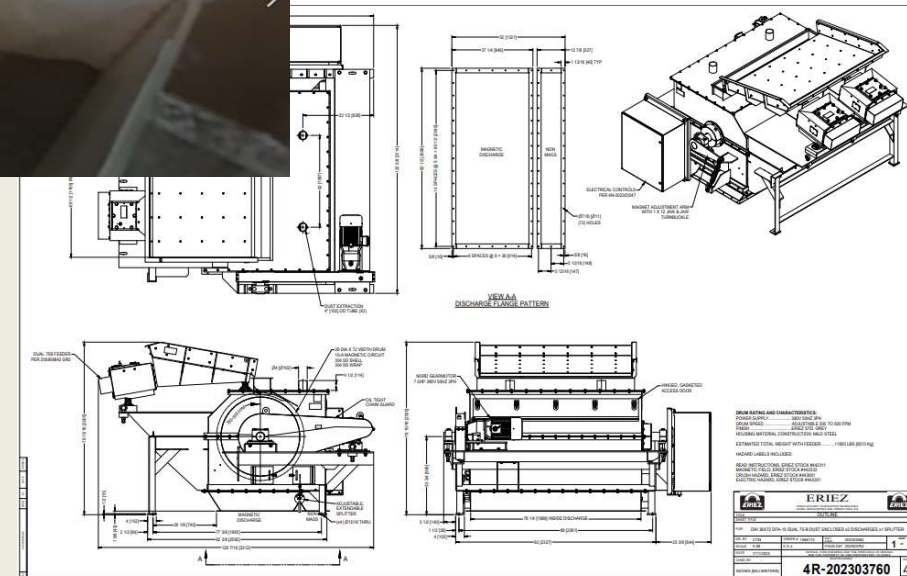
PRODUCTION
350,000 tons/year

GEN DESARROLLO & INVERSION

CLA80C	XRF72FE	XRF72FE	XRF72FE	XRF72FE	XRF72FE	XRF72FE	XRF72FE	XRF72FE	XRF72FE	XRF72FE	XRF72FE	XRF72FE	XRF72FE
FeO	Al2O3	BaO	CaO	Cr2O3	Fe	Fe2O3	K2O	MgO	Mn	Na2O	P	SiO2	TiO2
%	%	%	%	%	%	%	%	%	%	%	%	%	%
9,16	0,52	<0,01	0,29	<0,01	62,8	89,8	0,03	0,26	2,96	<0,1	0,065	4,2	0,19



MAG_NONMAG (-) 1,9 (+) 0,4



ERIEZ

ERIEZ NORTH AMERICAN CORPORATION
 11000 W. 15th Street, Erie, PA 16595
 Phone: 814-835-2200 Fax: 814-835-2201
 Website: www.eriez.com

4R-202303760

GEN DESARROLLO & INVERSION

PROYECTO: MINA DE HIERRO PAPAGAYO

GEN DESARROLLO
& INVERSION

ABOUT US

GRUPO GEN DESARROLLO & INVERSIONES is an uruguayan company focused on the Latin American market. It operates in the sectors of afforestation, renewable energy, real estate, appliances and fluvial transport among others.

CONTACT

URUGUAY

8 DE OCTUBRE 3883, MONTEVIDEO

obras@grupo-gen.com

+598 98 973 205